

# MESCO VERTICAL MULTISTAGE IN-LINE CENTRIFUGAL PUMPS TYPE - MC

## APPLICATIONS

Mesco Vertical Multistage Centrifugal Pumps Type MC are Designed for a wide range of applications

- Water Supply Systems
  - Water Circulation / Transfer
  - Agriculture
  - Boiler Feeding
  - Ship Building
  - Water Treatment Plants
- And many other applications

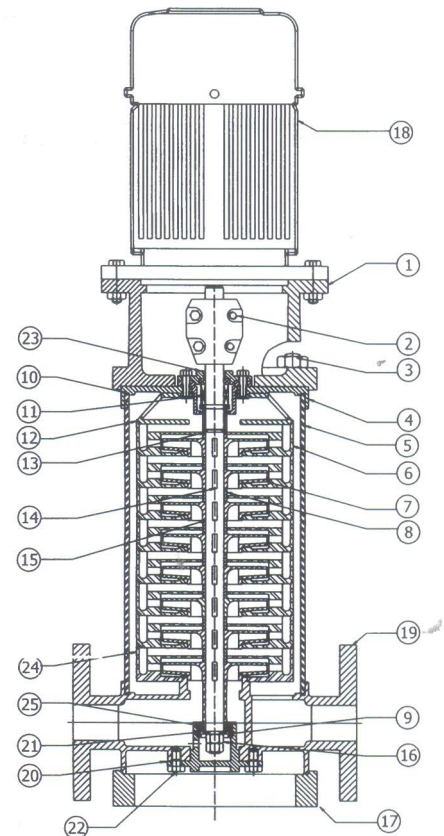
## PUMPS

The pumps are non-self priming Vertical Multistage Centrifugal pumps designed to occupy minimum floor Space. Unlike other pumps with sheet metal and plastic fabricated components, our Pumps have components all cast in various metals like Cast Iron, Bronze, Stainless Steel 304 & 316 Excessive Axial thrust is balanced by assembling the Pump stages with equal number of opposed Impellers. Balancing of axial thrust allows the use of standard Flange Mounted Motor Without special bearings. Pressure on Mechanical Seal reduces to half the working pressure due to opposed Impellers. The Shaft is well supported in bush Bearings making operation noise less. The maintenance is easy and inexpensive.

## PUMPED LIQUIDS

The Pumps are primarily designed to handle water and are suitable for handling hot & cold water in water Supply systems for Domestic and Industrial use.

## Pump Components



**PUMP WITH BOTTOM BUSH**

ITEM NO	DESCRIPTION
---------	-------------

1	MOTOR ADAPTOR
2	RIGID COUPLING
3	TIE ROD & NUT
4	TOP PLATE
5	OUTER SHELL
6	DIFFUSER
7	IMPELLER
8	SHAFT SLEEVE
9	LOCK WASHER
10	RUBBER GASKET
11	MECHANICAL SEAL
12	TOP DIFFUSER
13	LOCK RING
14	KEY
15	SHAFT
16	LOCK NUT
17	BASE PLATE
18	MOTOR
19	BOTTOM CASING (BASE)
20	BUSH HOUSING
21	BOTTOM BUSH
22	HOUSING BOLTS
23	MECH. SEAL JACKET
24	BOTTOM DIFFUSER
25	T C BUSH

